

emec G-Series

Grossing Station



The G-Series grossing workstation provides a multi featured ergonomic, safe and practical work area for grossing of samples. All features are within easy reach while harmful formalin fumes and odors are efficiently drawn away from the operator leaving a safe, clean, bright and odor-free environment.

Able to Customise

No matter the size of your work space or nature of your operation, EMEC grossing stations can be customised precisely to suit your needs, or choose from our standard models.

Pathology Workstation

Laboratory safety is an ever growing concern particularly with regards to exposure to chemicals & fumes. EMEC Scientific is committed to safety in the laboratory by providing pathology equipment, using the latest technology and design ensuring a safe, efficient and comfortable environment for your laboratory personnel.

Air Processing to Suit Your Situation

The G-Series workstation is equipped with a back downdraft ventilation system ensuring the operator is completely protected from harmful formaldehyde fumes. The G-Series can be fitted with a re-circulating exhaust system with high efficiency potassium permanganate or carbon filters which safely neutralize the harmful fume or can be fitted for external exhaust.

Standard Features

- Back and Down Draft high volume exhaust
- Fixed height work surface
- Deep integral sink with removable perforated cover plate
- Cold water outlet with standard wrist blade handle and vacuum breaker
- Powerful light giving a clearly illuminated work surface
- Twin IP65 water resistant socket outlets for plugging in appliances
- Integral inch/cm ruler
- High quality stainless steel construction
- Hands free operated waste disposal and water outlets
- Heavy duty waste disposal 0.5Hp
- Stainless steel paper towel holder and magnetic instrument bar
- Formalin dispenser and collecting tank
- Microprocessor control panel & alarm

Optional Features

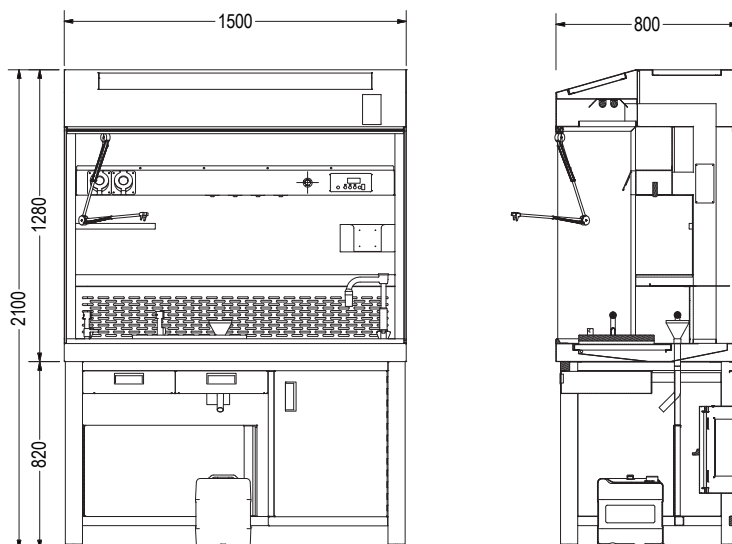
- Camera arm
- Magnifying arm
- Heavy duty waste disposal 0.75 Hp
- Hand free dictation system with digital recording
- Mixer water outlet with vacuum breaker
- Motorised Height Adjustable up to 1050mm worktop height
- Velocity Alarm
- Monitor & Keyboard arm



G-Series Grossing Station Specification

Dimensions	1500mm wide x 2100mm high x 800mm deep Lenght can be customised as per user request
Work surface	900mm high for fixed height models 850-1050mm for elevating models
Sink	350mm x 430mm x 250mm deep
Filters	2 formaldehyde neutralizing potassium permanganate filters
Electrical	240 V, 50 Hz, 1 Phase, 5 Amps Requires 13 amp power supply, facility supplied RCD recommended

Plumbing	1/2" industrial grade flexible hose supplied for hot and cold water connection 1 1/2" ID UPVC heavy-duty flexible hose for connection to drainage
Temperature	Operational: 10deg C - 32 deg C
Humidity	Operational: 10-95%



Note : Specifications are subject to change without prior notification.